

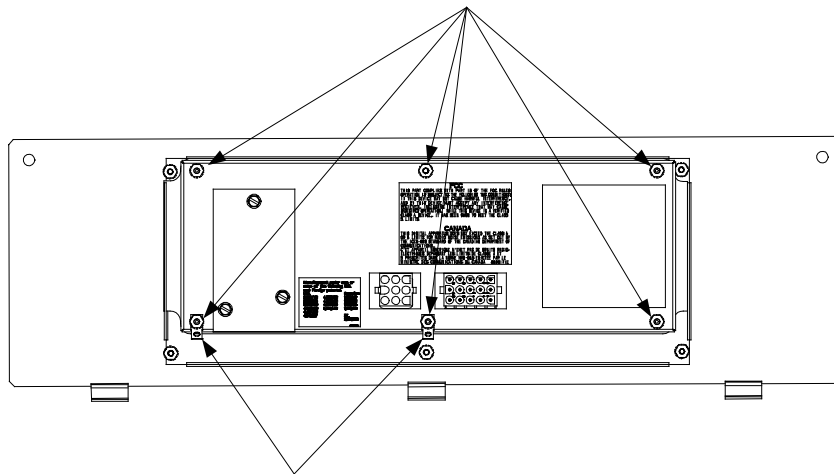
INSTALLATION INSTRUCTIONS

KFC-1/CMS-4 DRAIN SWITCH HARNESS RETROFIT KITS

826-1975 (FULL VAT) AND 826-1976 (DUAL VAT)

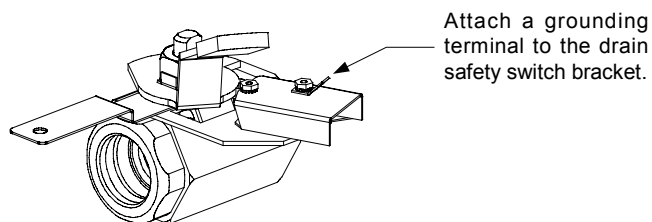
1. Disconnect the fryer from the electrical power supply.
2. Remove the screws from the upper corners of the control panel and swing the panel down.
3. Disconnect the 9- and 15-pin harnesses and the ground wire from the back of the computer.
4. Remove the control panel from the fryer.
5. Remove the back of the computer (see illustration below) and verify that all six studs that pass through the motherboard have nuts on them. Install the 6x32 Hex Nuts furnished in the kit as required.

Remove these six nuts, remove the back of the computer, and verify that the motherboard has six nuts securing it in place.



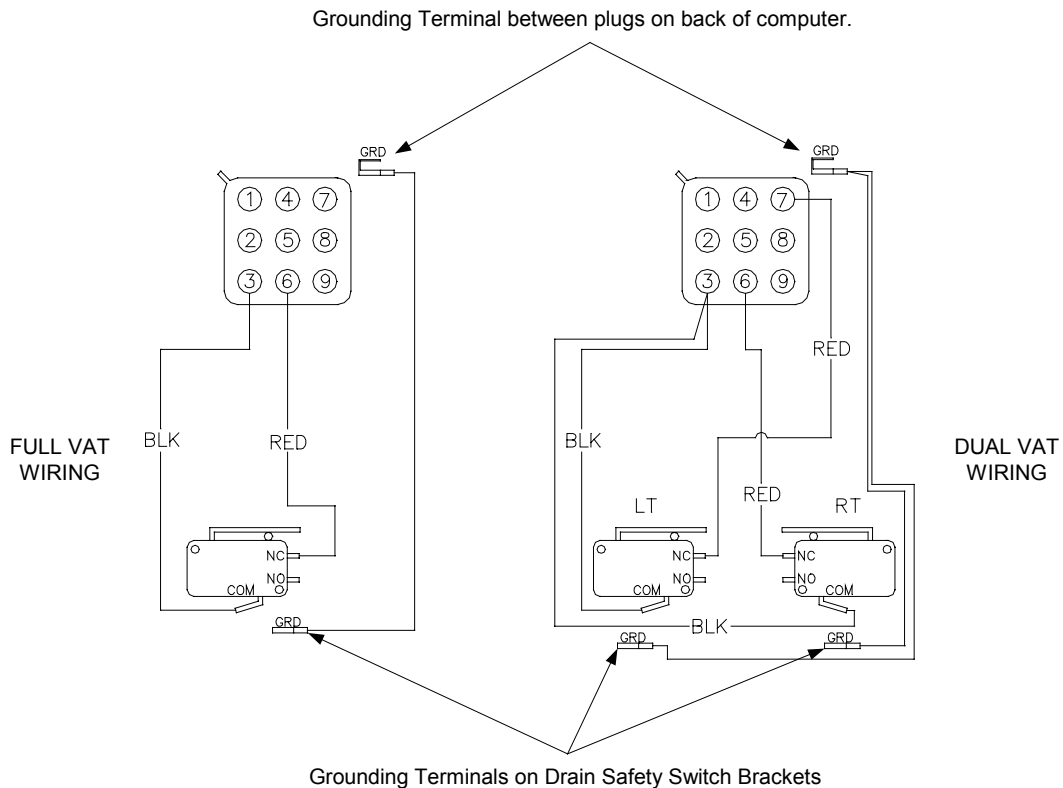
Replace the computer back, ensuring that grounding terminals are installed as shown.

6. Replace the computer back. When replacing the back, install one of the ground terminals furnished in the kit on the center stud between the plugs and the other at the lower right corner of the computer as shown in the illustration above.
7. Cut the 9-pin plug from the old harness and tape the loose ends of the new harness to the old harness. Carefully pull the ends of the new harness through the opening in the component box using the old harness.
8. Install a ground terminal on the drain safety switch bracket (for dual vat units, install a terminal on each drain safety switch bracket). The terminal may be attached using one of the existing mounting studs or by using a drill-point screw through the bracket itself if the stud is too short.



Attach a grounding terminal to the drain safety switch bracket.

9. Connect the replacement harness to the drain switch(es) as shown in the wiring diagrams below.



10. Reinstall the computer in the fryer, reconnect the 9- and 15-pin connectors and both ground wires, and close the control panel.
11. Reconnect the unit to the electrical power supply and turn the computer on.
12. Check for correct operation: When a drain valve is opened, the computer display should read **drain open**. After 30 seconds the computer display should change to **drain open fill**.
 - a. If the display reads **drain open** as soon as the computer is turned on, turn the computer off and reverse the terminal position of the red wire. Repeat step 12.
 - b. If nothing is displayed, there is a loose connection or the switch has failed; correct the problem and repeat step 12.
13. Close the drain valve and press the Exit Cool button twice to return the unit to normal operation.

NOTE: On dual vat units, repeat steps 12 and 13 for each valve.